

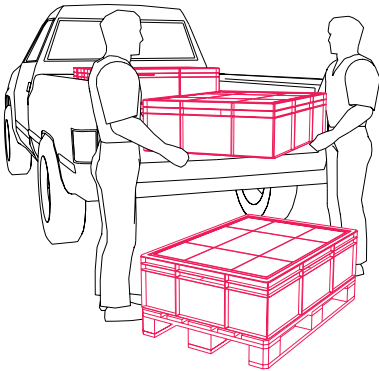


HELP



DOMO.

RESPONDING TO HUMANITARIAN EMERGENCIES AND NATURAL DISASTERS IS A QUESTION OF TIME



Easy to transfer - every DOMO comes in two separate transport boxes and is ready for use within half an hour

DOMO is a modular, fast-to-pitch emergency shelter system which was especially developed to help people affected by unpredictable natural catastrophes or sudden outbreaks of a crisis. It is extraordinary easy to transfer from one place to another and can be set up in less than one hour, even by untrained staff,

making it the ideal choice for humanitarian operations who aim to establish a stable infrastructure and decent living quarters for the crisis-ridden people as well as for own staff on site quickly. With DOMO entire impromptu villages can be built up or moved in only one day.

„I never saw such a comprehensive system for the accommodation of people in need before.“

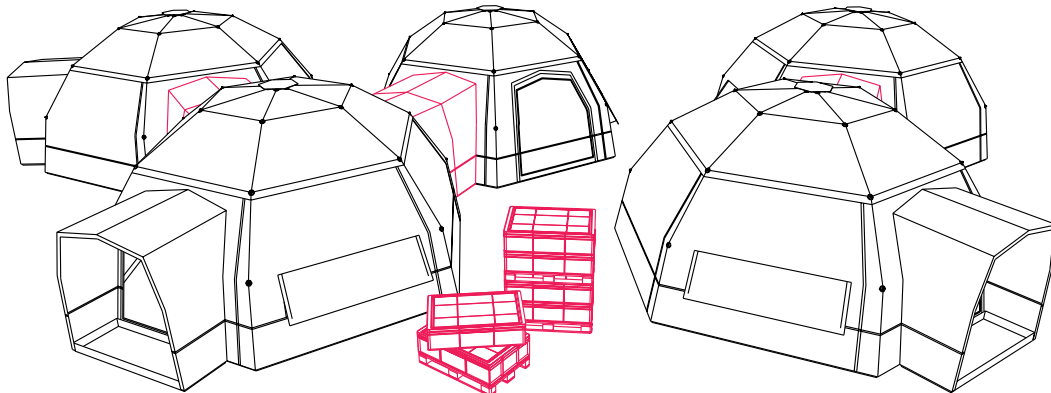
Albrecht Broemme, President of the Federal Agency for Technical Relief (THW), February 2016, Germany

DOMOS IN CRISIS RESPONSE

In cooperation with ‚Hands with Hands‘, a locally embedded and established organization in Nepal, MORE THAN SHELTERS provides accommodation for 22 children living in a family-run orphanage in Bhaktapur. Another project is carried out in Talamarang, where our DOMOs are deployed as school hostels for 200 students.



Bhaktapur Talamarang NEPAL



DOMOs replace broken infrastructure in an instant - from single houses to extensive building complexes

MORE THAN SHELTERS.

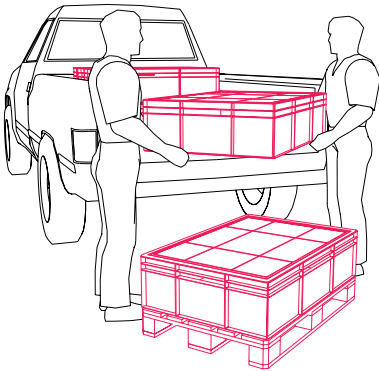


WORK



DOMO.

EFFECTIVE CRISIS RESPONSE REQUIRES STAFF CAMPS WHICH ARE BOTH - HOMELIKE AND TRANSFERABLE

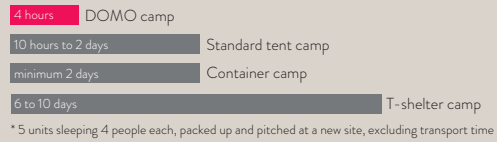


DOMO is extraordinary easy to transfer and can be set up within half an hour, even by untrained personnel

Each unit of the emergency shelter system DOMO is coming in two reusable and easy to (man)-handle transport boxes and can easily be brought even to remote areas or disaster-hit places which are difficult to access. In order to administer to people in need quickly emergency response teams first of all need to

establish their own base of operations and adequate staff accommodation without losing time. With DOMO entire base camps can be set up or - if the situation requires - transferred from one place to the next in less than one day.

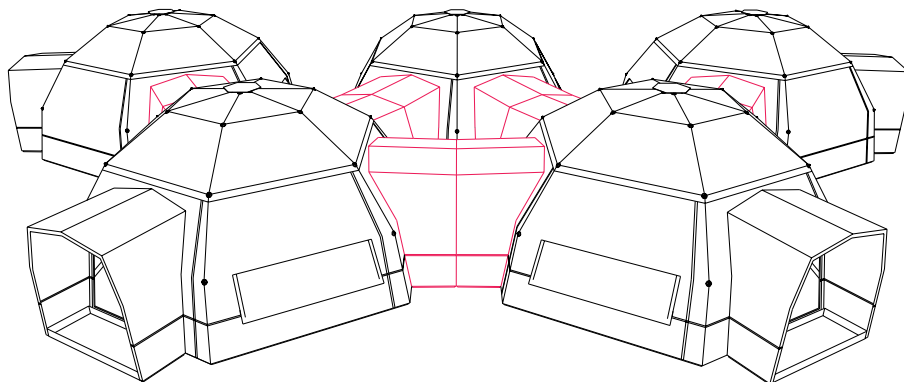
How long does it take to move staff accommodation for 20 people?*



„DOMOs are different from the tents we used to live in, because they look like a real house - not like a tent. [...]

If I had the choice, I would rather live in a DOMO than in a container.“

Mateen Walizada, refugee from Afghanistan currently living in Hamburg, January 2016, Germany



DOMOs can be connected to one another in countless ways catering to the very specific needs of humanitarian response teams

MORE THAN SHELTERS.

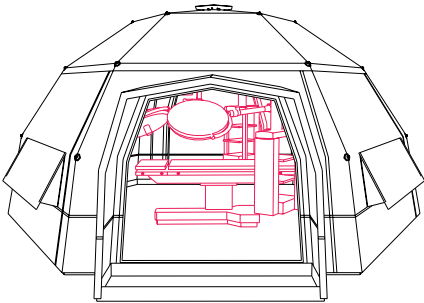


CREATE



DOMO.

HOLISTIC CAMP PLANNING CARES FOR PEOPLE'S NEEDS WAY BEYOND MERE ACCOMMODATION



From gatehouse to fully equipped operating room - DOMOs can quickly be transformed into whatever a changing camp infrastructure is needing the most

It is when refugee camps and emergency response sites have to be structured beyond providing basic shelter and supplies that the emergency shelter system DOMO demonstrates its full flexibility and modularity. There is no purpose DOMOs cannot be assigned to. They can be used as administration buildings, checkpoints, markets,

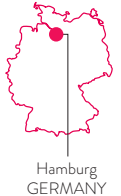
or dining areas, community spaces or child friendly retreats, medical units or quarantine wards. Due to their interconnectivity DOMOs allow setting up extensive building complexes or even whole 'town centres' effortlessly in a very short time.

„Turning a space into a living environment [...] is all about the people who will inhabit the place.“

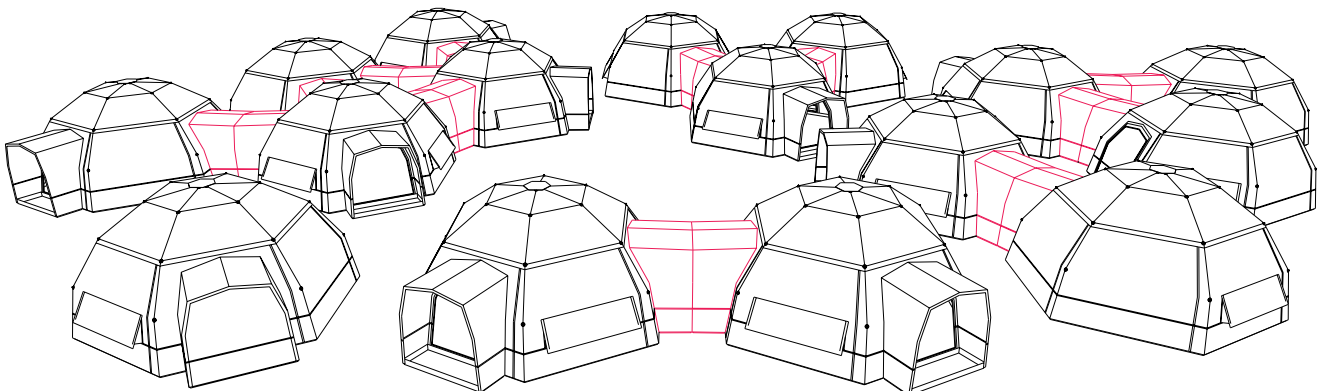
Daniel Kerber, Founder & CEO of MORE THAN SHELTERS, July 2014, Germany

SPECIAL USE DOMOS IN THE FIELD

Primary care units, clothing distribution centres, kitchenettes, barber-shops, learning rooms, mother & child refuges, community spaces and child friendly areas - the list of functions our DOMOs were allocated to at various sites in Hamburg is endless and shows proof for the unrivalled versatility of our DOMO.



Hamburg GERMANY



The modular concept of the DOMOs allows both - to transfer long-term plans for an ideal camp into reality, but also to react quickly on sudden changes at the same time

MORE THAN SHELTERS.





MEET



DOMO.

ESPECIALLY IN TIMES OF CRISIS FEELING AT HOME BEGINS WITH BUILDING UP COMMUNITIES

Understandably, meeting the very basic needs like accommodation and provisioning always must have the highest priority in humanitarian operations and immediate emergency response. However, it also is in the nature of things that limitation of available space and resources as well as time pressure often cause camp planners and operators to lose sight of two other humane needs, whose importance only grows in times in distress and hardship - the yearning for companionship and community and the need for retreat.

Experience shows that neglecting those needs will result in growing discontentment, stress and aggression, often accompanied by a rising number of conflicts among beneficiaries and with operating staff, all of which can already be recognized after a very short time.

Due to its adaptability and modularity our emergency shelter system DOMO allows setting up community spaces, family areas and meeting places of any size in very short time. Through these community DOMOs people get out of the struggles of everyday life and find a piece of normality within adversity.

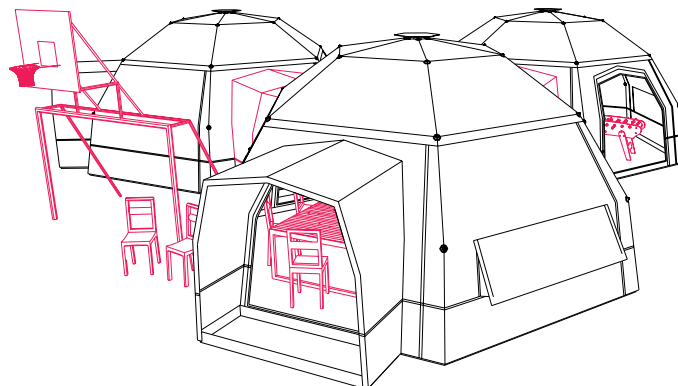
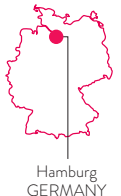
Looking at refugee camps - what is missing the most? *



* Survey carried out by German newspaper DIE ZEIT among 3486 volunteers, December 2015

COMMUNITY DOMOS IN THE FIELD

In Hamburg our DOMOs have become vibrant social hubs in which refugees find a place for meeting other refugees & citizens alike, for studying & reading, playing card games, talking or dancing. The success of these community spaces is proven by more than 80% less conflicts amongst refugees.



DOMOs are fully equipped community spaces that can pop up out from nowhere virtually everywhere

MORE THAN SHELTERS.





PLAY

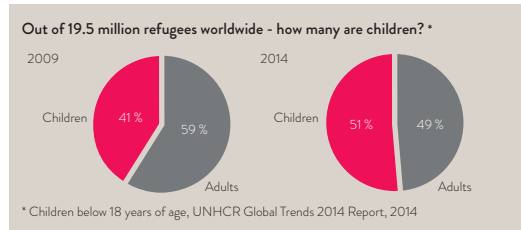
DOMO.

NO MATTER HOW DIFFICULT THE SITUATION - A CHILD SHOULD NEVER FORGET BEING A CHILD

It is an established fact that more than half of the world's refugees are children and it is most likely that many of them will spend their entire childhood far away from home. Most of the children went through unimaginable experiences during their escape.

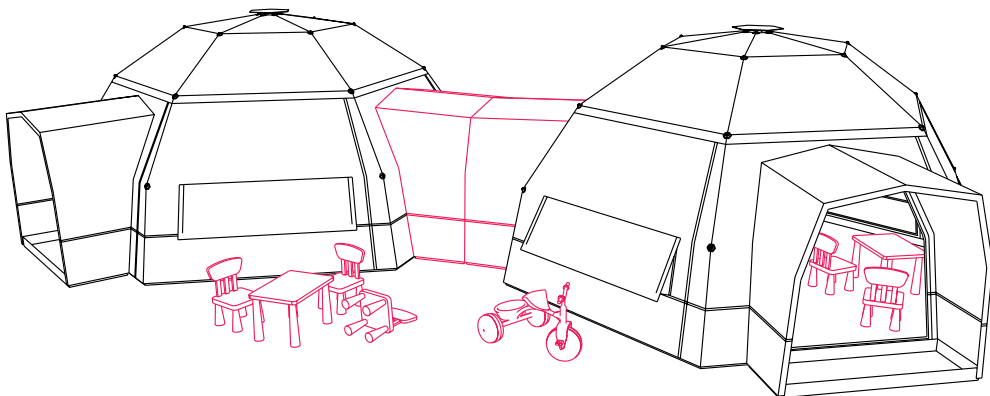
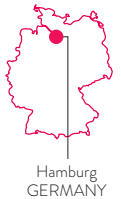
Therefore humanitarian intervention of any kind always should provide shelter and retreat especially for children in order to afford the kids a small piece of normality within their ongoing hardship. Activities such as crafting, dancing, singing and daily entertainment such as cinema shows or radio plays assist the kids in processing and overcome trauma and give them the opportunity to rediscover what it is like to be a carefree child.

With the emergency shelter system DOMO child friendly spaces of any extent can be set up in an instant. DOMOs can easily be connected to one another, creating whole day-care centres and nursery schools which easily can be moved from one place to another, if situation requires. In short, DOMO allows camp operators and crisis response teams to have child friendly spaces ready anywhere at any time.



DAY-CARE DOMOS IN THE FIELD

In cooperation with an initiative running day-care centres and child friendly spaces in refugee camps throughout Hamburg MORE THAN SHELTERS has installed several DOMOs which became much-loved play houses and retreats for children of all ages right from the start.



Just a place to be a child - a set of only two DOMOs can act as a proper day-care centre for up to 40 children

MORE THAN SHELTERS.



LEARN



DOMO.

EDUCATION IS EASY TO LOSE SIGHT OF IN TIMES OF CRISIS - BUT FOR THE FUTURE IT MATTERS THE MOST

When disaster strikes or a sudden outbreak of a crisis occurs, emergency response organisations must always cater to the basic needs like accommodation, provision and access to medical care first. But regardless of which function remaining buildings or hastily set-up tents are assigned to in emergency, in most cases there is an enormous lack of space solutions for educational purposes.

Especially natural catastrophes strongly affect the educational sector. School buildings, colleges and boarding schools often become unusable. Families lose their homes and are forced to leave their home region, which consequently results in a lot of students being withdrawn from their schools.

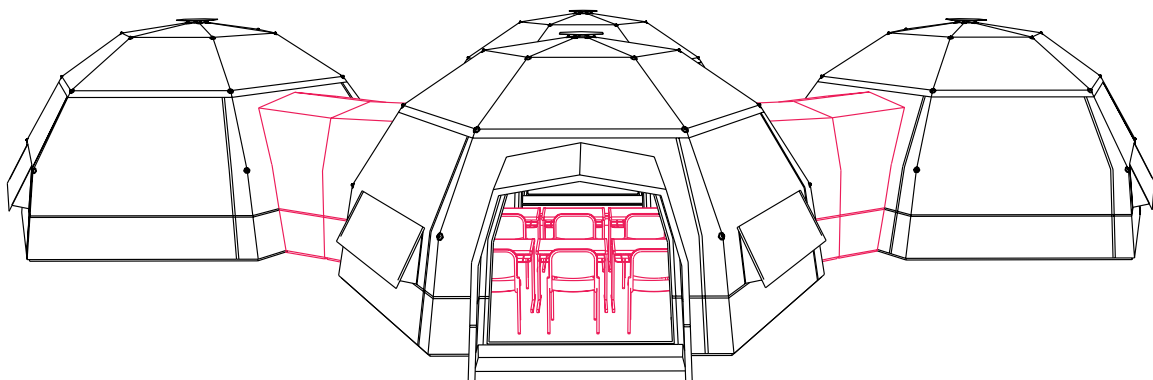
Because of its modularity and the quickest operational readiness, the emergency shelter system DOMO is able to replace colleges and school buildings of any size in very short time. These fast-to-pitch DOMO schools and boarding houses unburden crisis-ridden families by providing a safe living & learning environment for the students and allow people to stay in their home region and to build prospects for their future.

„Access to education is the key to get out of the hardship provoked by crisis. Farsighted emergency intervention means to bring immediate help AND set a basis for self-reliant development.“

Isabelle Poncette, Humanitarian Program Coordinator at MORE THAN SHELTERS, October 2015, Germany

DOMO SCHOOLS IN THE FIELD

After the most server earthquake within the past 80 years many school buildings in the Sindhupalchok region in Nepal have become unusable, a lot of student have been withdrawn from school by their families. In a joint project with ‚Hands with Hands‘ we have built a school-hostel for 200 students.



DOMOs replace broken educational infrastructure in an instant - from single school buildings to entire boarding schools

MORE THAN SHELTERS.

KEY FEATURES AT A GLANCE

TRANSFERABLE

Compared to its final size DOMO comes with a rather small packing volume and low weight and can easily be set up in less than 45 minutes.

COMFORTABLE

With more than 23 square metres of floor space and an ceiling height of 2.6 metres DOMO offers a generous living environment for up to 10 people.

MODULAR

Due to its limitless modularity within itself as well as interconnected, DOMO is the only shelter system which really can respond to various individual needs.

STRONG

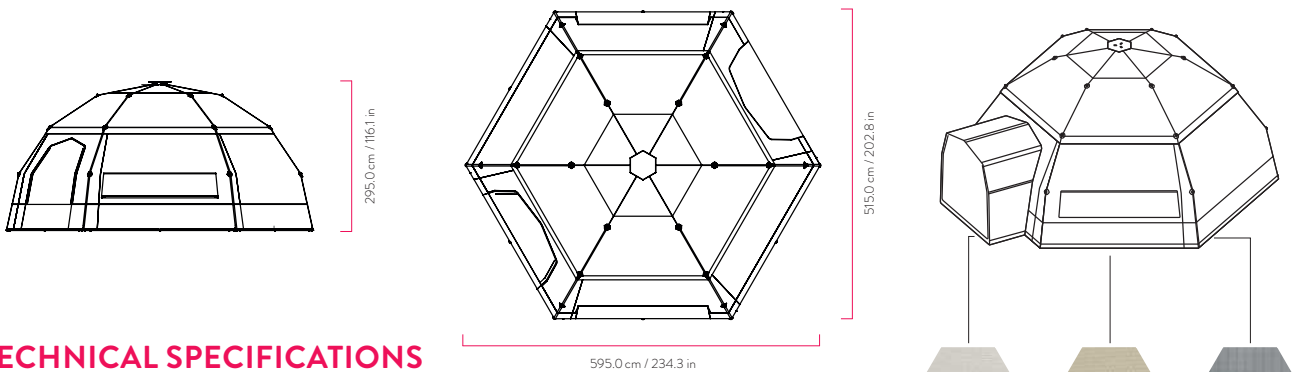
The innovative supporting structure provides maximum stability and withstands storm winds and snow loads up to half a metric ton.

SUSTAINABLE

With its durable structure, the interchangeable shell elements & a growing variety of add-ons DOMO is the most cost efficient shelter on the market.

PROTECTIVE

DOMO reliably resists the harshest weather conditions. From hot desert climate to monsoon, there is a DOMO configuration for every purpose.



TECHNICAL SPECIFICATIONS

	Metric	US
Type	Modular shelter system	
Style	Hexagonal dome tent	
Expected lifespan	Structure min 10 years, shell parts interchangeable	
Inside Floor Area	23.4 m ²	251.9 ft ²
Outside length	595.0 cm	234.3 in
Outside width	515.0 cm	202.8 in
Edge length	300.0 cm	118.1 in
Inside height	260.0 cm	102.4 in
Outside height	295.0 cm	116.1 in

MATERIAL

Supporting structure	Foldable pre-assembled hollow-profil aluminum crossbar structure, sandblasted
Bathtub floor	100% polyester PVC tarpaulin, 540 g/m ²
DOMO COTTON shell (standard configuration)	100% cotton, 285 g/m ² , hydrostatic head: 350 mm
DOMO TC shell	Technical cotton, 65% polyester, 35% cotton 185 g/m ² , hydrostatic head: 1000 mm
DOMO RS shell	100% Ripstop polyester PU, hydrostatic head: 3000 mm
DOMO SOLID shell	Insulating sandwich panels, status: prototyping

PACKAGING & TRANSPORT

	Metric	US
Transport packaging	2 stackable transport boxes, usable as stepladder	
Package dimensions / volume	2 x 120.0 cm x 80.0 cm x 30.0 cm / 2 x 0,29 m ³	2 x 47.2 in x 31.5 in x 11.8 in / 2 x 10.2 ft ³
Pallet dimensions	120.0 cm x 80.0 cm x 15.0 cm	47.2 in x 31.5 in x 5.9 in
DOMOs per container	20 ft: 33	40 ft: 75
Gross weight	131.0 kg	288.8 lb
Net weight DOMO	111.0 kg	244.7 lb
Structure weight	59.0 kg	130.1 lb
Shell & floor weight	52.0 kg	114.6 lb

SET-UP

Set-up time	45 mins max per DOMO, if done by untrained personnel, 25 mins, if done by technical staff
People	2
Tools	Not needed, except those included

CAPACITY

People (daytime use)	Up to 30 per DOMO
People (overnight)	6 to 10 per DOMO (in bunk beds)