

MORE THAN SHELTERS. ♦



HOME. ♦

„DOMOs are different from the tents we used to live in, because they look like a real house - not like a tent. [...]

Whenever I enter our community DOMOs I feel comfortable and suddenly at home.

If I had the choice, I would rather live in a DOMO than in a container.“

Mateen Walizada, refugee from Afghanistan
currently living in Schnackenburgallee, Hamburg,
January 2016, Germany

„I never saw such a comprehensive system for the accommodation of people in need before. [...]

It's impressive to see, what kind of results can be achieved, once the planning is done by creative, unconventional thinkers.“

Albrecht Broemme, President of the
Federal Agency for Technical Relief (THW),
February 2016, Germany

DOMO.



MORE THAN SHELTERS. 

MORE THAN JUST A NEW APPROACH TOWARDS EMERGENCY TENTS - A CLASS OF ITS OWN

DOMO is a fast-to-pitch emergency shelter system designed to help people in situations of humanitarian crisis instantly in order to regain a dignified home. Due to its modular character it flexibly adopts to individual and cultural needs of people as well as to local climate and geographical circumstance. DOMO is completely free-standing and the base configuration consists of a strong foldaway supporting structure, a set of interchangeable fly sheet elements composing the shell, a sturdy tarpaulin floor and two detachable vestibules.

KEY FEATURES AT A GLANCE

TRANSFERABLE

Compared to its final size DOMO comes with a rather small packing volume and low weight and can easily be set up in less than 45 minutes.

MODULAR

Due to its limitless modularity within itself as well as interconnected, DOMO is the only shelter system which really can respond to various individual needs.

SUSTAINABLE

With its durable structure, the interchangeable shell elements & a growing variety of add-ons DOMO is the most cost efficient shelter on the market.

COMFORTABLE

With more than 23 square metres of floor space and an ceiling height of 2.6 metres DOMO offers a generous living environment for up to 10 people.

STRONG

The innovative supporting structure provides maximum stability and withstands storm winds and snow loads up to half a metric ton.

PROTECTIVE

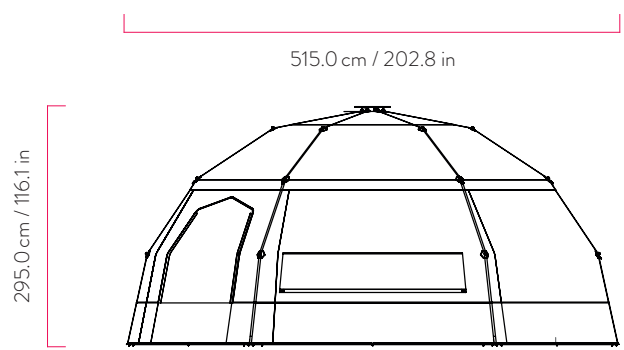
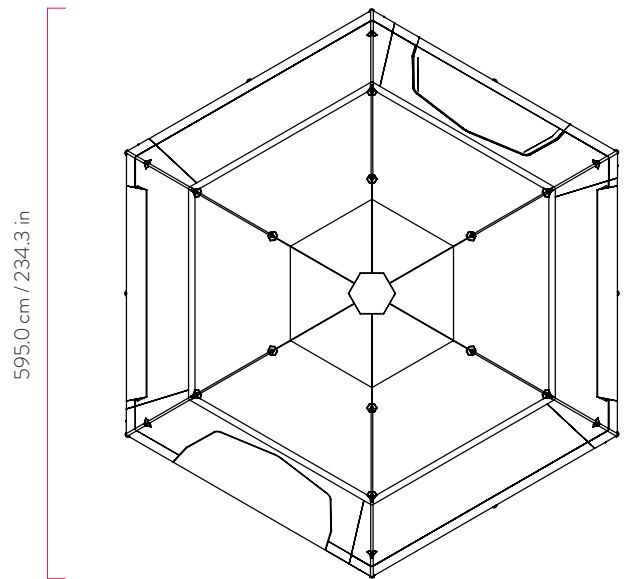
DOMO reliably resists the harshest weather conditions. From hot desert climate to monsoon, there is a DOMO configuration for every purpose.

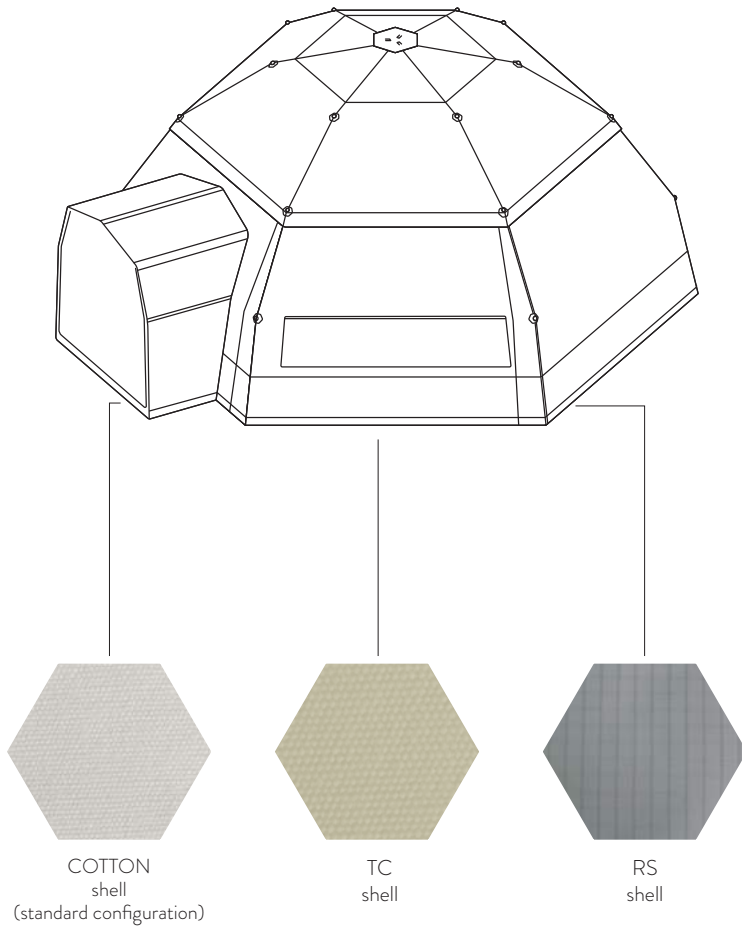
TECHNICAL SPECIFICATIONS

	Metric	US
Type	Modular shelter system	
Style	Hexagonal dome tent	
Expected lifespan	Structure min 10 years, shell parts interchangeable	
Inside Floor Area	23.4 m ²	251.9 ft ²
Outside length	595.0 cm	234.3 in
Outside width	515.0 cm	202.8 in
Edge length	300.0 cm	118.1 in
Inside height	260.0 cm	102.4 in
Outside height	295.0 cm	116.1 in

PACKAGING & TRANSPORT

	Metric	US
Transport packaging	2 stackable transport boxes, usable as stepladder	
Package dimensions / volume	2 x 120.0 cm x 80.0 cm x 30.0 cm / 2 x 0,29 m ³	2 x 47.2 in x 31.5 in x 11.8 in / 2 x 10.2 ft ³
Pallet dimensions	120.0 cm x 80.0 cm x 15.0 cm	47.2 in x 31.5 in x 5.9 in
DOMOs per container	20 ft: 33	40 ft: 75
Gross weight	131.0 kg	288.8 lb
Net weight DOMO	111.0 kg	244.7 lb
Structure weight	59.0 kg	130.1 lb
Shell & floor weight	52.0 kg	114.6 lb





SET-UP

Set-up time	45 mins max per DOMO, if done by untrained personnel 25 mins, if done by technical staff
People	2
Tools	Not needed, except those included in the DOMO tool kit

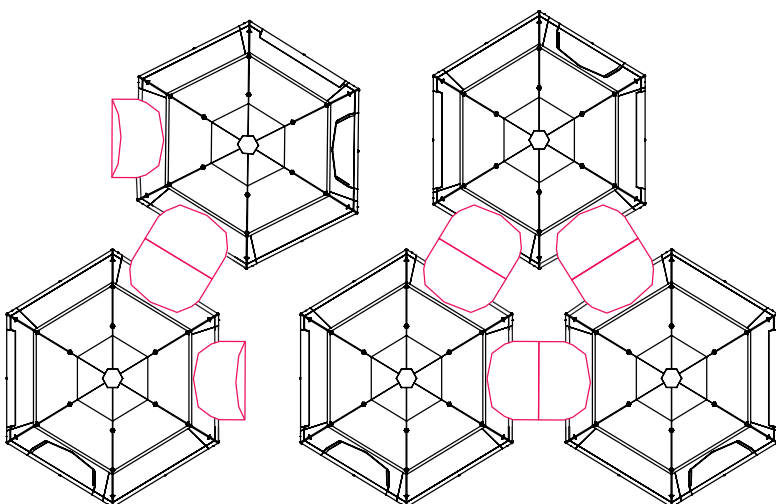
CAPACITY

People (overnight)	6 to 10 (in bunk beds)
People (daytime use)	Up to 30

MATERIAL

Supporting structure	Foldable pre-assembled hollow-profil aluminum crossbar structure, sandblasted
Bathtub floor	100% polyester PVC tarpaulin, 540 g/m ²
DOMO COTTON shell (standard configuration)	100% cotton, 285 g/m ² , hydrostatic head: 350 mm
DOMO TC shell	Technical cotton, 65% polyester, 35% cotton 185 g/m ² , hydrostatic head: 1000 mm
DOMO RS shell	100% Ripstop polyester PU, hydrostatic head: 3000 mm
DOMO SOLID shell	Insulating sandwich panels, status: prototyping

THE MOST FLEXIBLE AND SUSTAINABLE EMERGENCY SHELTER SYSTEM FOR HUMANITARIAN PURPOSES



MODULARITY & LONGEVITY

In standard configuration every DOMO comes with a set of two wall elements, two window elements, two door elements and two vestibules, all of which are fully interchangeable, leaving it to the inhabitants to create their own living space. DOMO further allows future adaptation to different seasons or climatic regions through the different shell options mentioned above. The vestibules of each DOMO can be used to interconnect any number of DOMOs, resulting in highly variable space structures.

For future modifications of a DOMO in use only single elements need to be adjusted or exchanged. The investment in the core elements persists, thus making it ecologically and economically sustainable.

DOMO.



DOMO TRANSFORMS THE MOST MISERABLE PLACES ON THIS PLANET INTO SUSTAINABLE AND INNOVATIVE ECOSYSTEMS

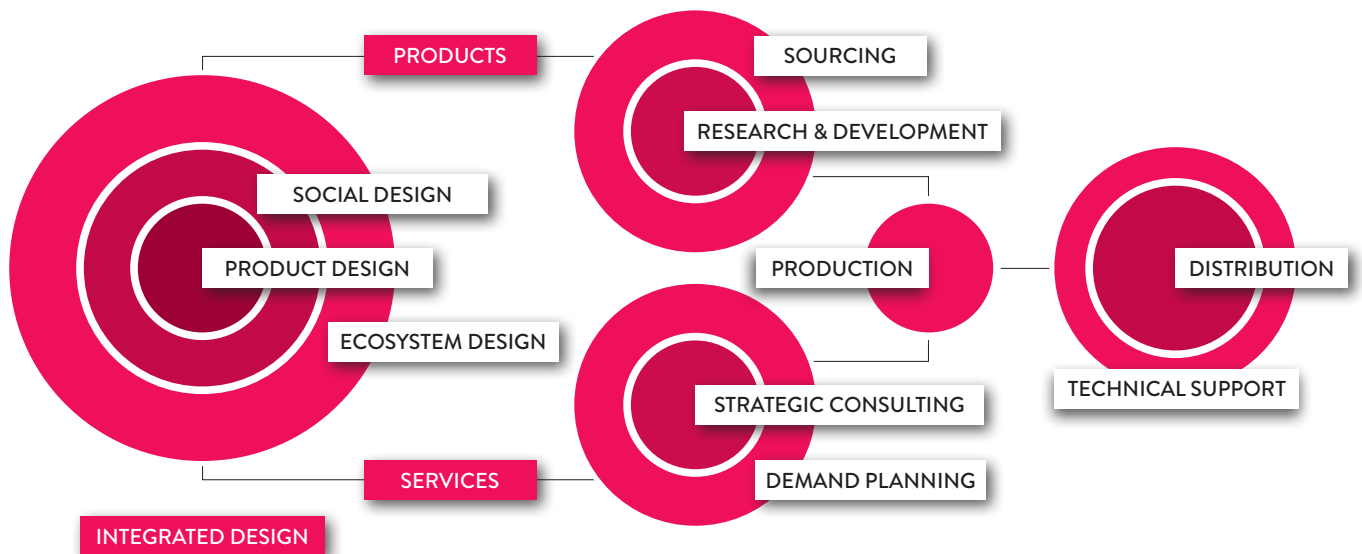
„Turning a space into a living environment, into a place to be considered ‚home‘, is all about the people who will inhabit the place.

To understand their needs and their individual and cultural backgrounds is the key - not only to create solutions for them, but together with them.“

Daniel Kerber, Founder & CEO of MORE THAN SHELTERS, July 2014, Germany

MORE THAN SHELTERS aims to create a humane habitat for refugees and residents of informal settlements and encourage those involved to actively shape their own future. For a dignified life, even in situations of crisis. We have to stop looking at refugee camps as a short-term issue. Instead we should start viewing them as long-term opportunities for people who have lost everything. DOMO is the first step to transform the most miserable places on this planet into sustainable and innovative ecosystems. Sustainable development is possible, if people are allowed to carry their lives in their hands. Only then, a mere survival space will turn into a living environment, a place which takes into account individual needs, safety, security and privacy and which can be actively shaped by its inhabitants. Thus, people affected turn into participants. Our objective is to create an individual home for people who have been forced into an emergency situation and give them the opportunity to help themselves.

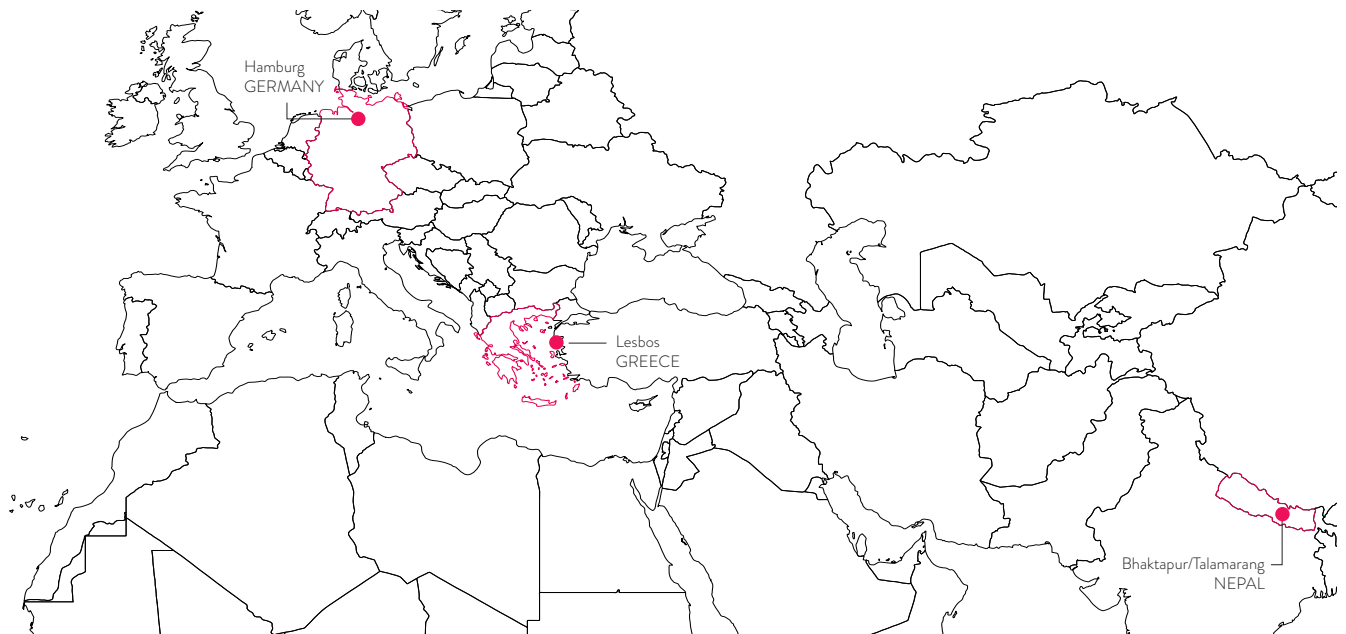
FROM FIRST IDEAS TO THE PLACE OF ACTION



MORE THAN SHELTERS draws on diverse methods from multiple disciplines. The focus thereby lies on the creation of appropriate solutions in the humanitarian context and the efficient planning of emergency interventions, based on steady long-term development and improvement. We call our methodology Integrated Design, meaning the contextual creation and planning of products and services, which ensure participation of all stakeholders and consider human habitats to be organic environments that need to be acted upon on all layers defining their reality.

Once this pivotal phase is completed MORE THAN SHELTERS and its partners enter into a comprehensive process of product and service development including a project-related demand analysis and the implementation of requested product modifications. Product development then is followed by a custom-made production from where the final goods are either shipped to our warehouses or directly to the site of operation.

MORE THAN SHELTERS IN THE FIELD



Since early 2013, we have been involved in several on-site projects in refugee camps and regions of humanitarian crisis. Besides bringing our DOMOs to people in need, our projects include various fields of activity. An important aspect is connecting interdisciplinary actors and different projects to use synergies and devise impromptu out-of-the-box approaches.

LESBOS, GREECE



On Lesbos we are cooperating with local and international volunteers, as well as with the civilian network 'Village of All Together' to improve the conditions in the self-organised camp PIKPA. PIKPA is one of the three camps on Lesbos and receives the most vulnerable people: survivors of shipwrecks who lost family members, wounded, sick and disabled. The goal of this project is to ensure the survival of the arriving refugees. With our DOMOs a new basis for sheltering is given.

BHAKTAPUR/TALAMARANG, NEPAL

In cooperation with 'Hands with Hands', a locally embedded and established organization in Nepal, we provide DOMOs for 22 children and the family running their orphanage in Bhaktapur. After the first visit on-site a well-adjusted solution was planned to adapt to the children's needs and offer necessary shelter, even during upcoming monsoon times. Another project is carried out in Talamarang, where our DOMOs are deployed as school hostels for 200 students in order to back education.



HAMBURG, GERMANY

In Hamburg - being our 'home port' - we have established many different projects from strategic camp consulting to hands-on room-in-room solutions. Our main project is the multicrate installation of DOMOs as community spaces - social hubs in which refugees find a place for meeting other refugees and citizens alike, for studying & reading, playing card games, talking or dancing. In short, our community DOMOs allow them to get out of the struggling everyday life. The success of social hubs is proven by more than 80% less conflicts amongst refugees. Other DOMOs are deployed as child friendly spaces or for women travelling on their own.

DOMO.



morethanshelters GmbH, Gaußstraße 19 B, 22765 Hamburg, Germany, T +49 (0) 40 / 181 492 38, E info@morethanshelters.org
www.morethanshelters.org

MORE THAN SHELTERS. 



© morethanshelters GmbH 2016 v.11

MORE THAN SHELTERS.